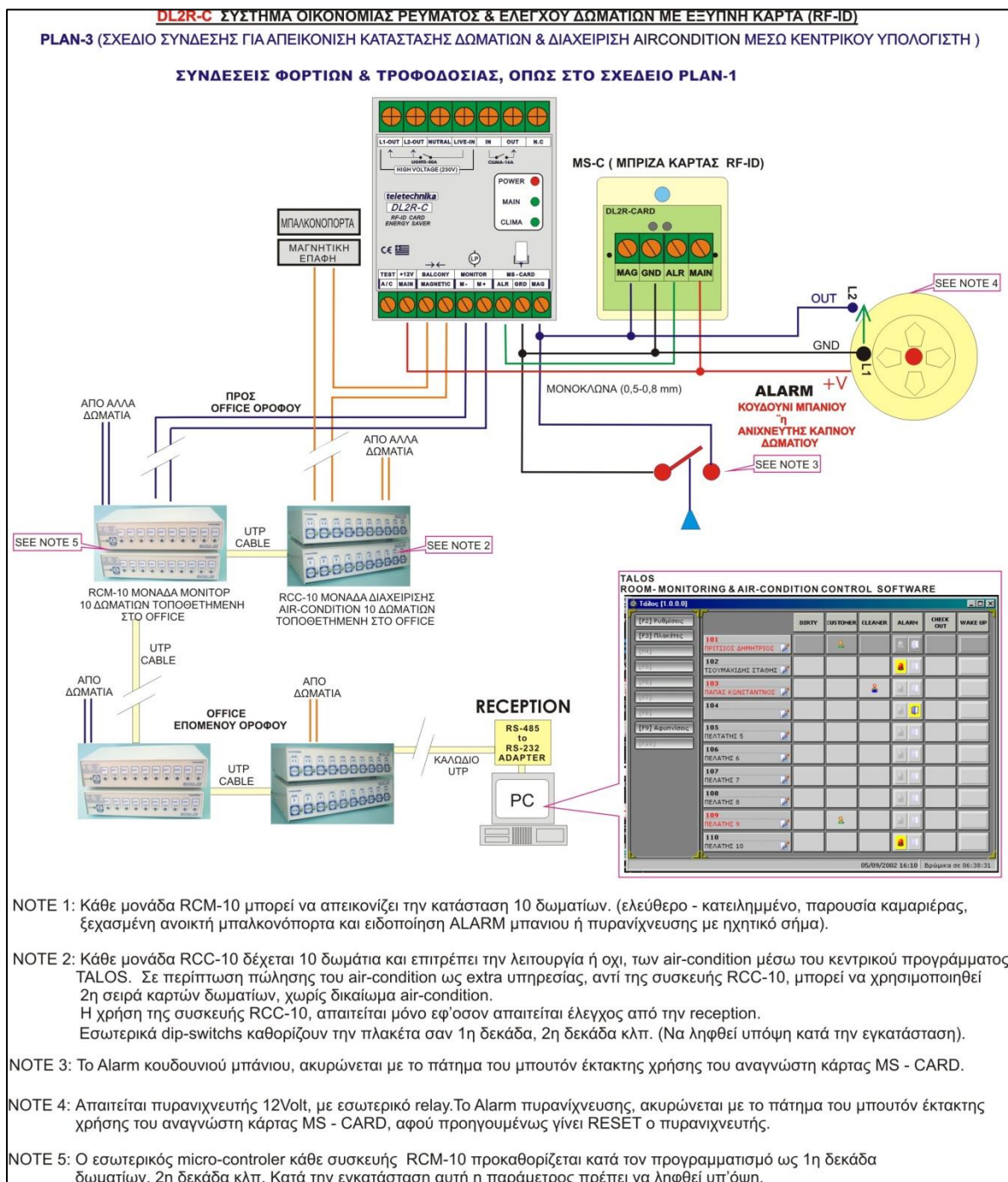
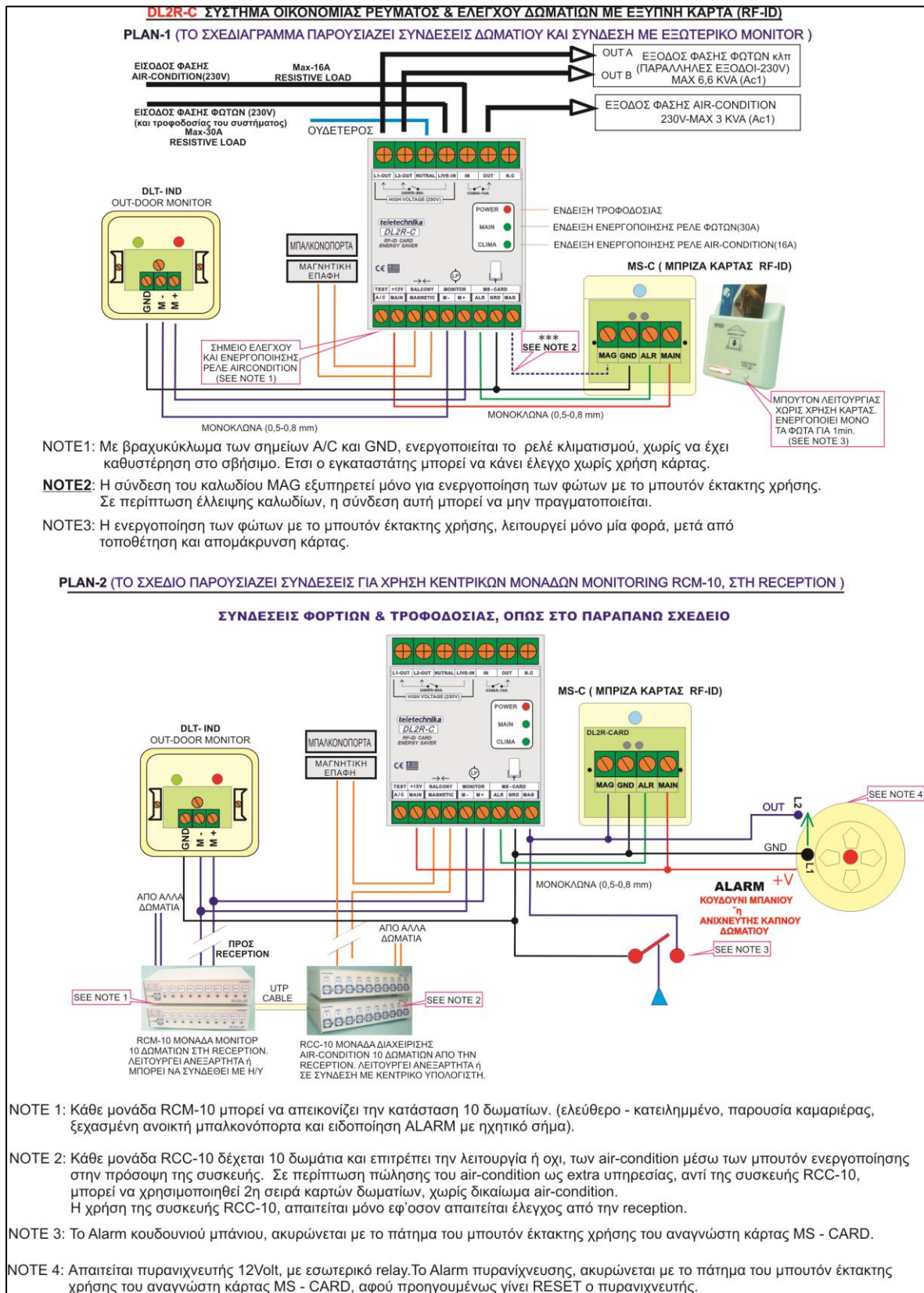


DL2R-C CONECTION-with PC-GR



DL2R-C CONECTION-without PC-GR



DL2R-C CONNECTION-EXTRA AC-GR

